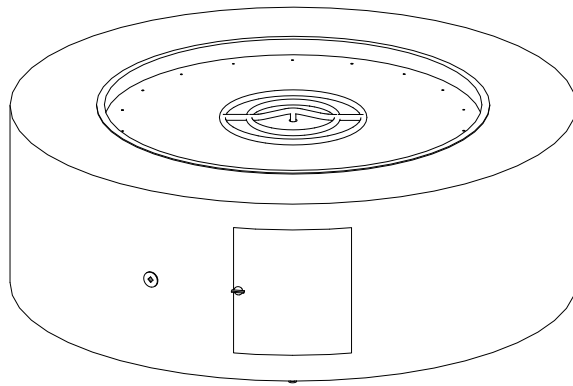
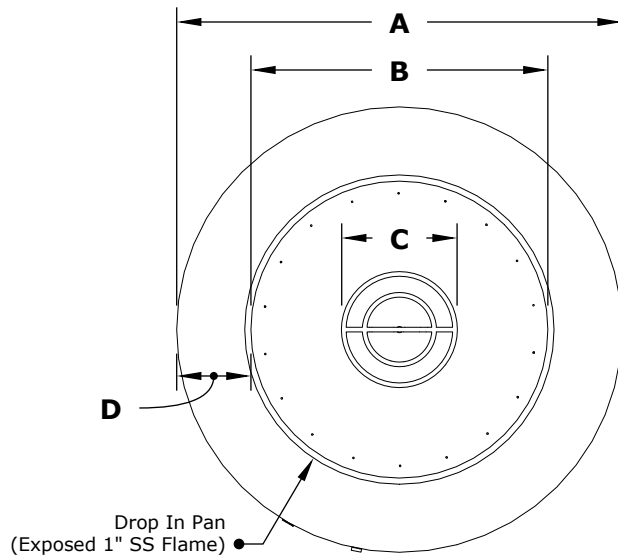


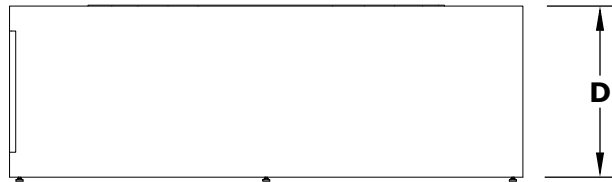
UNITY FIRE PIT
 (Hammered Copper, Corten Steel,
 Stainless Steel, Powder Coated Steel)



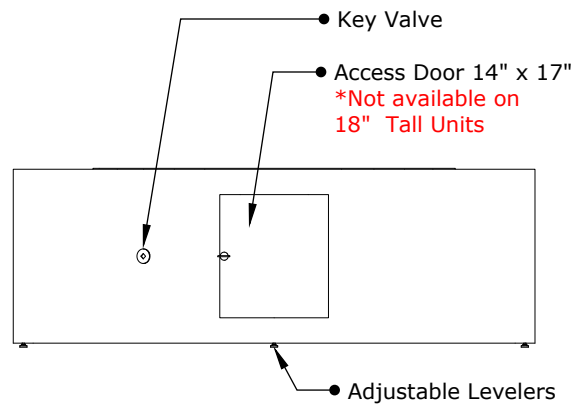
ISOMETRIC VIEW



TOP VIEW



RIGHT SIDE VIEW



FRONT SIDE VIEW

SKU	A	B	C	D	E	BTU
OPT-UNYPC48	48"	24"	12"	12"	24"	65,000
OPT-UNYPC60	60"	36"	18"	12"	24"	60,000
OPT-UNYPC72	72"	48"	18"	12"	24"	60,000
OPT-UNYPC4818	48"	24"	12"	12"	18"	65,000
OPT-UNYPC6018	60"	36"	18"	12"	18"	60,000
OPT-UNYPC7218	72"	48"	18"	12"	18"	60,000
OPT-UNYPC48EKIT	48"	24"	12"	12"	24"	65,000
OPT-UNYPC60EKIT	60"	36"	18"	12"	24"	60,000
OPT-UNYPC72EKIT	72"	48"	18"	12"	24"	60,000
OPT-UNYPC4818EKIT	48"	24"	12"	12"	18"	65,000
OPT-UNYPC6018EKIT	60"	36"	18"	12"	18"	60,000
OPT-UNYPC7218EKIT	72"	48"	18"	12"	18"	60,000

Fire Pit Material: Steel
 Finish: Powder Coat
 Pan Material: 304 Stainless Steel
 Burner Material: 304 Stainless Steel
 Ignition Type: Match :Lit Ignition

Standard 1" Flange on all pans
 Standard 2" Depth on all pans

12V ELECTRONIC IGNITION
 ANSI Z21.97-(2017) / CSA 2.41-(2017)



Includes: Pan, Burner, Key Valve,
 Whistle Free Hoses, Black Lava Rock.